

# RF Dual Color Wall Mounted Controller

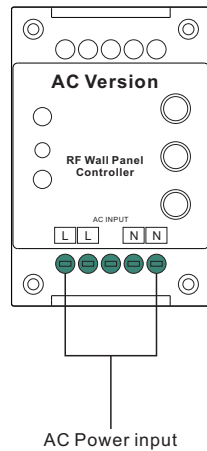
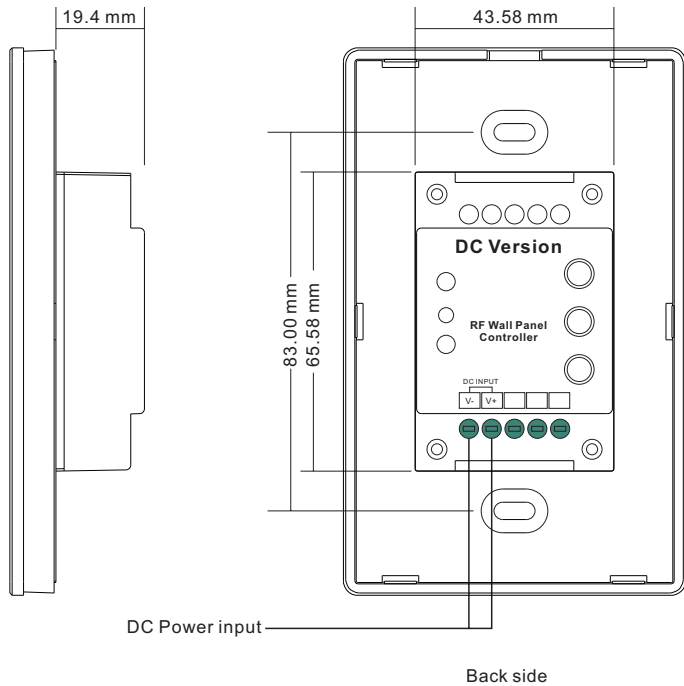
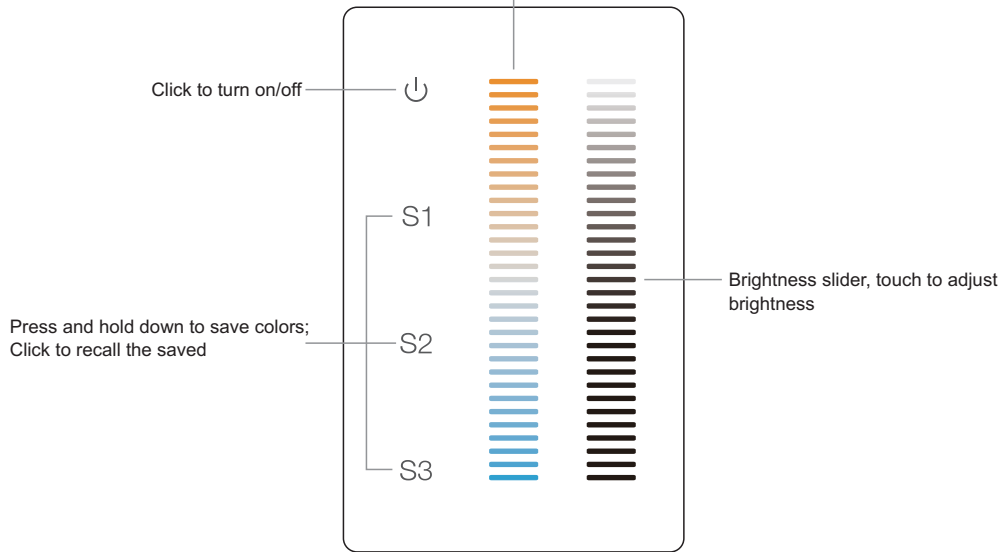
09.284DU.04718



**Important:** Read All Instructions Prior to Installation

## Function introduction

Dual color slider, touch to adjust color temperature between Warm White and Cool White



## Product Data

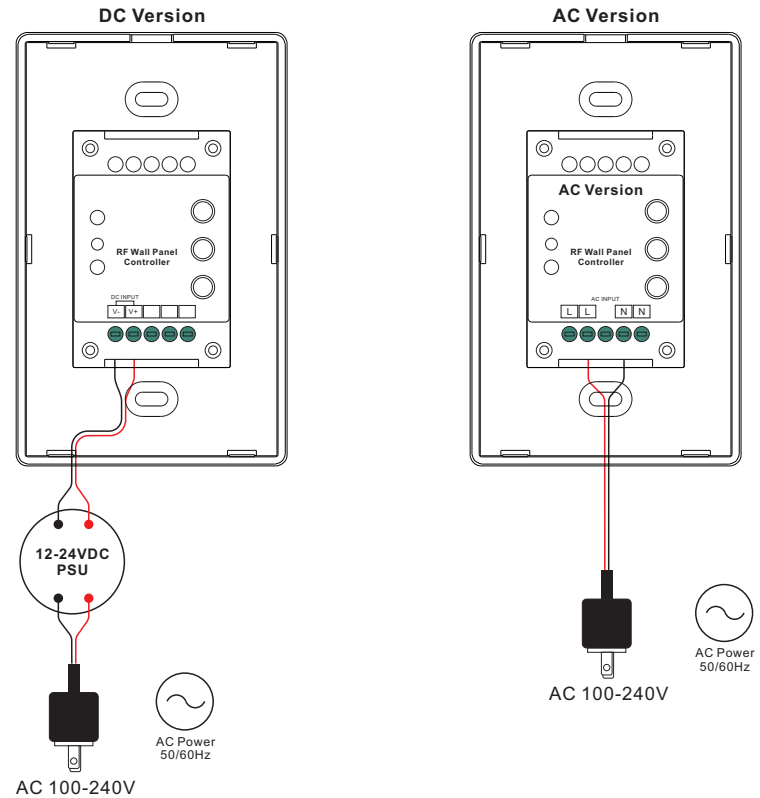
	DC Version	AC Version
Output Signal	RF signal	RF signal
Power Supply	12-24VDC	100-240VAC
Power consumption	20 mA	20 mA
Operating temperature	0-40°C	0-40°C
Relative humidity	8% to 80%	8% to 80%
Dimensions	75x120x29.1mm	75x120x29.1mm

- Touch sensitive
- Glass interface(white & black)
- Compatible with all universal series RF receivers, radio frequency: 916.5MHz
- Control CCT color
- Control 1 zone of RF receiver
- Waterproof grade: Ip20


## Safety & Warnings

- DO NOT install with power applied to device.
- DO NOT expose the device to moisture.

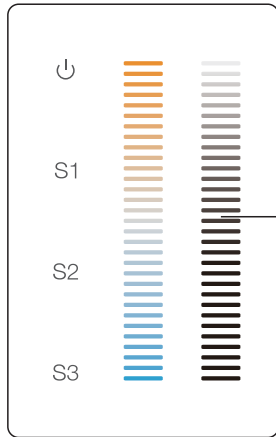
## Wiring diagram



## Operation

1. Do wiring the wall panel & RF receiver according to wiring diagram (please refer to the instruction of RF receiver that you would like to pair with)
2. Power on, then touch the button  to turn on the controller, indicator of the controller turned blue

## Pair with RF receiver



**Step 1:** Click the "Learning Key" button on RF receiver or re-power on the receiver three times continuously to set it into pairing status

**Step 2:** Touch the slider, LED lights connected with the RF receiver flicker once means the receiver is paired with the remote successfully.

## Installation

